



## WG 1200 SERIES THERMOFORMING GRANULATORS

The WG1200 Series granulators offer a wide range of capabilities and are ideal for under-the-press or in front of the press applications. Three models provide various throat sizes - 12x44, 12x56, and 12x74. Models feature a horsepower range of 20 to 50 HP and throughput capacities of 1800-3000 lbs/hour. Reversible screens are available in various sizes and the complete regrind evacuation is achieved with an 8" blower system. The castered base is portable and low profile, which allows for under-the-press positioning.



### STANDARD FEATURES

- 3-knife "open" Twin Shear rotor, optional 5-blade open rotors are available
- Bolted and doweled construction
- Pivoting screen cradle
- 2 bed knives- reversible D2
- Rotor knives hi-angle
- Feed roll motor (3 HP AC)
- Oversized 7" dia. steel knurled feed rolls, optional paddle rolls are available
- 12" Cutting Circle
- Low profile caster base
- NEMA 12 Controls
- 8" pneumatic discharge
- 1 year warranty on parts and labor

### OPTIONAL FEATURES

- No options available

# WG 1200 SERIES THERMOFORMING GRANULATORS

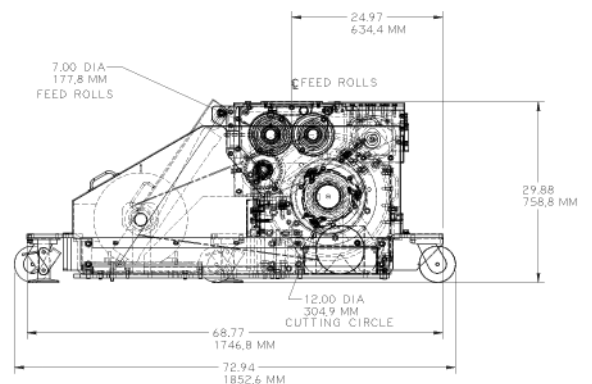
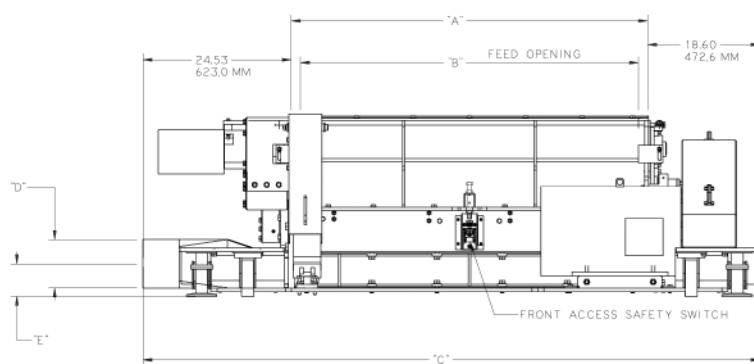
# GRANULATE

## SPECIFICATIONS

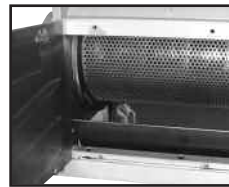
Specifications			
Model	WG1244	WG1256	WG1274
Throat Size, in.	12x44	12x56	12x74
Cutting Circle Diameter, in.	12		
Feed Height, in. (mm)	29.88 (759)		
Throughput (lbs/hr)	1800	2200	3000
Working Envelope (LXW)	91x73	103x73	121x73
Weight, lbs.	4000	5300	8000
Motor (rotor drive)	20-50 HP		
Motor (feedroll drive)	3 HP AC		
Controls	230/460V: 115V P/B (standard), 208/575V: 115V P/B (optional)		
Rotor	3-knife open Twin Shear (standard), 5-knife open Twin Shear (optional)		

## Dimensions

Model	A, in.	B, in.	C, in.	D, in.	E, in.
WG1244	47	44	91	8 dia.	5.4
WG1256	59	56	103	8 dia.	5.4
WG1274	77	74	121	10 dia.	6.4



Pneumatic upper hopper opening allows for easy access. Rotor and bed knives are easily accessed by tilting open the upper chamber



The two pivoting doors offer complete access into the bottom of the cutting chamber (screen cradle and screen). The larger 12" cutting circle and open screen area allow maximum throughput



The 3-blade open rotor with Twinshear cutting geometry offers quieter, cooler operation and is ideal for polypropylene



Two swing open doors allow easy access to the screen cradles and screen